

IMPROVEMENTS

**ROCK SPLITTER
C20B**

ROCK SPLITTER C20B



IMPROVEMENTS:

1. Adapted colour design
2. Improved lubrication system
3. Reinforced wedge heads
4. Simplified lubrication refilling

ROCK SPLITTER C20B



ADVANTAGES:

- ✓ better lubrication distribution with the same quantity of Darda special lubricant – especially on L-wedge
- ✓ Less friction due to optimized lubrication of wedge surface
- ✓ More effective splitting force
- ✓ Optimized drill hole pattern possible
- ✓ Less wear of counter wedges and wedges
- ✓ Increased stability of wedges due to reinforced wedge heads and deep hole drilling from front side/tip
- ✓ Time saving on user-friendly lubrication refilling with rechargeable refill pump

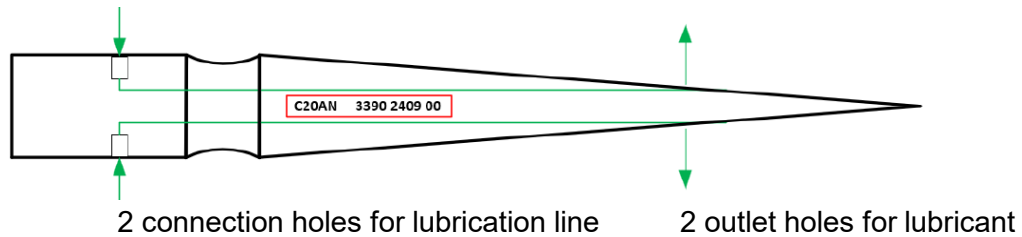
COMPARISON WEDGE LUBRICATION

C20A

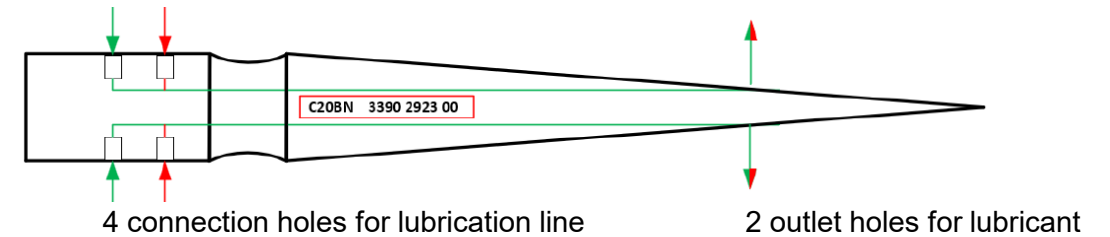
vs.

C20B

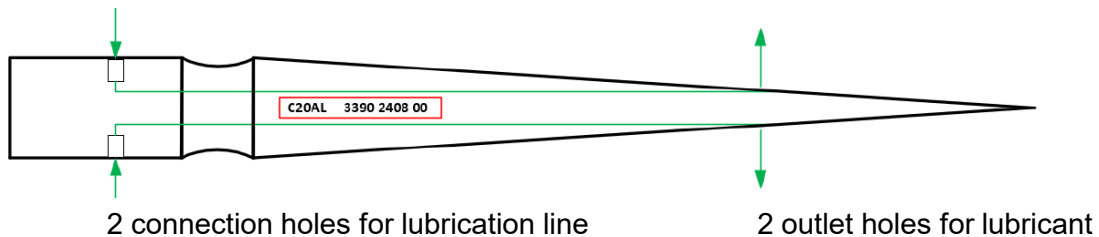
C20A N-Wedge: 2 inlet / 2 outlet



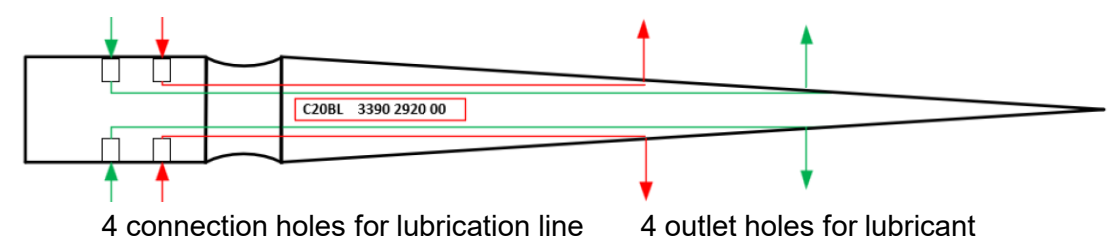
C20B N-Wedge: 4 inlet / 2 outlet



C20A L-Wedge: 2 inlet / 2 outlet



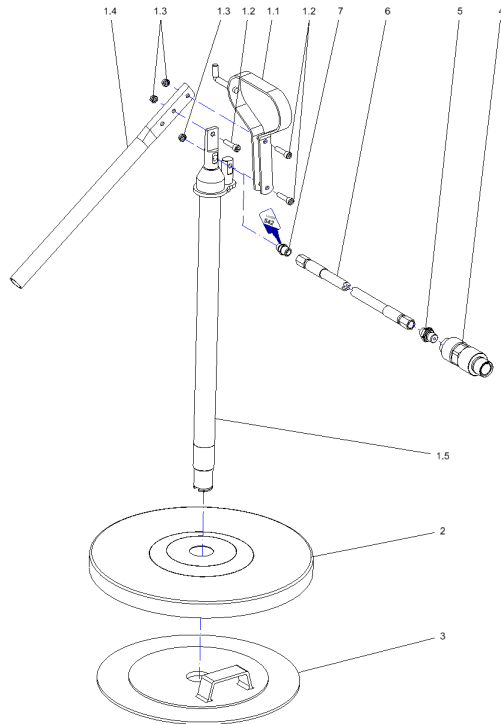
C20B L-Wedge: 4 inlet / 4 outlet



OPTIONS FOR LUBRICATION REFILLING C20B

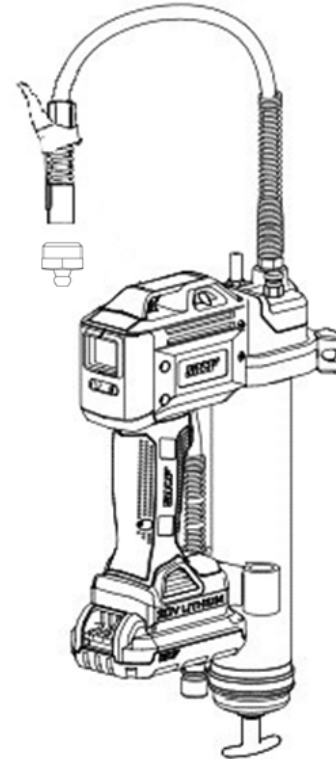
Manual refill pump

for 18kg bucket special lubricant



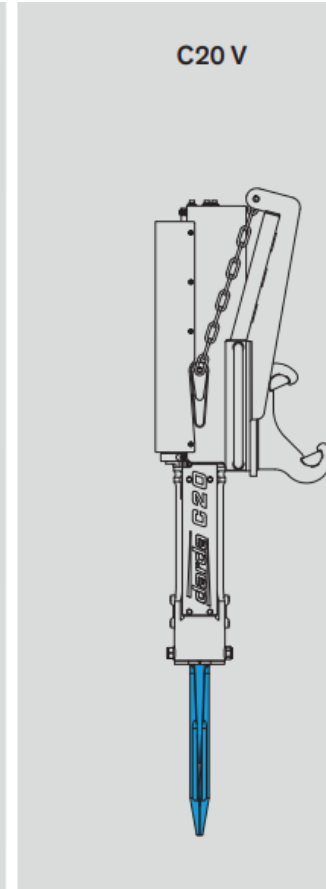
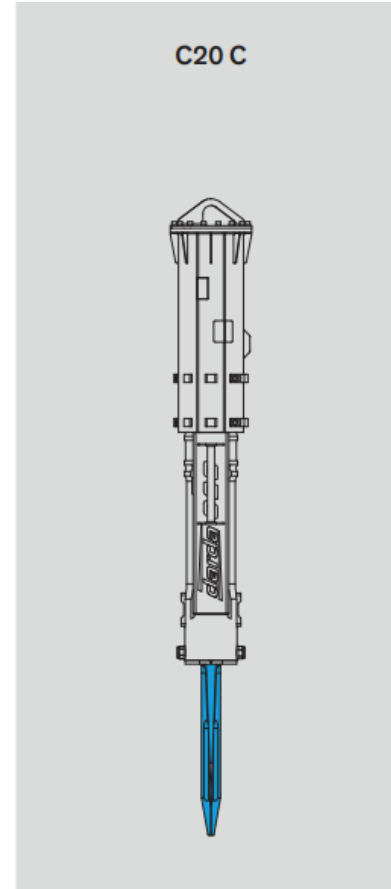
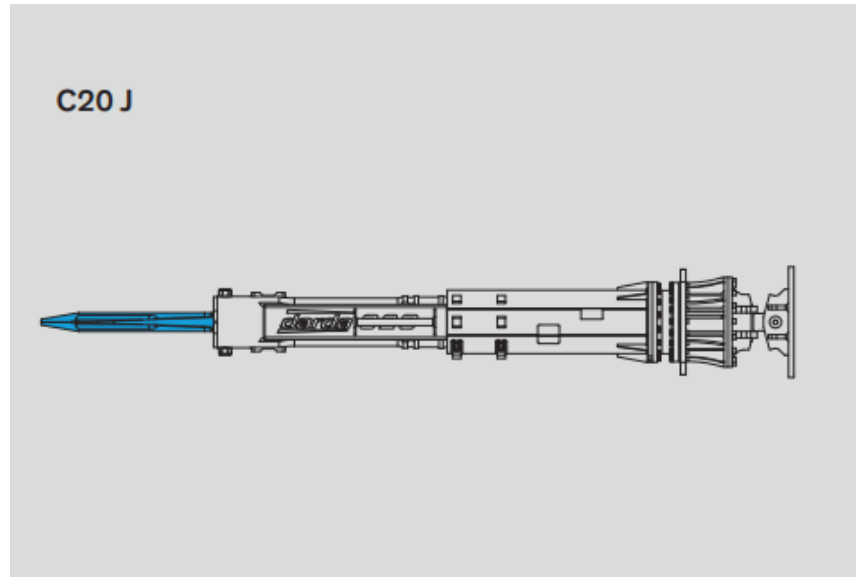
Rechargeable refill pump 110V or 230 V

for 400g cartridge special lubricant



MOUNTING KITS C20B

- All mounting kits remain unchanged



TECHNICAL DATA C20B

| Dimensions and weight | Vertical | | | | Horizontal | |
|-----------------------------------------|----------------------------------------|--------|----------------------------------------|--------|----------------------------------------|--------|
| | C20 C | | C20 V | | C20 J | |
| Length ¹ x Width x Height | 1720 x 305 x 394 mm 68 x 12 x 16 in | | 1833 x 721 x 557 mm 72 x 28 x 22 in | | 2153 x 450 x 420 mm 85 x 18 x 17 in | |
| Weight with N-wedge set ² | 300 kg | 660 lb | 405 kg | 890 lb | 390 kg | 860 lb |
| Carriers | | | | | | |
| Recommended carrier weight ³ | 5 - 7 t | | | | 11000 - 16000 lb | |
| Recommended Brokk machines | Brokk 300 / 500 / 520D | | | | | |
| Hydraulic connection | | | | | | |
| Connection pressure, min. | 17.5 MPa (175 bar) | | | | 2538 psi | |
| Connection pressure, max. | 25 MPa (250 bar) | | | | 3626 psi | |
| Oil flow, min. - max. | 25 - 100 l/min | | | | 27 gal/min | |
| Operating pressure | 50 MPa (500 bar) | | | | 7250 psi | |
| Wedge set | | | | | | |
| Wedge set length N / L | 640 / 840 mm | | | | 25 / 33 in | |
| Drillhole diameter | 76 mm | | | | 3 in | |
| Drillhole depth N / L, min. | 750 / 950 mm | | | | 29 / 37 in | |
| Splitting distance N / L | 22 / 25 mm | | | | 7/8 / 1 in | |
| Theoretical splitting force N / L | 1500 / 1800 t | | | | 3300 lbf / 4000 lbf | |

ROCK SPLITTER C20B

